

# C-LB-A-RDAC Series

## LED Low Bay - Prismatic Reflector

Replaces 150W PSMH/175W MH



## REPLACE TRADITIONAL 150W PSMH LOW BAYS



### PRODUCT SPECIFICATIONS

#### OVERVIEW

- Initial Delivered Lumens: 8,000
- CRI:  $\geq 70$
- CCT: Neutral White 4000K, Cool White 5000K
- Mounting: Hook and cord or pendant
- Input Power: 59 Watts
- Dimmable: No
- Operating Minimum:  $-30^{\circ}\text{C}$  ( $22^{\circ}\text{F}$ )
- Lifespan: Estimated 100,000 Hours
- Power Factor:  $> 0.9$
- Total Harmonic Distortion:  $< 20\%$
- Limited Warranty: 5 Years\*
- Replaces 150W PSMH/175W MH

EFFICIENT	EASY INSTALL	RECOMMENDED USE	INPUT VOLTAGE
<ul style="list-style-type: none"> <li>• Up to 60% energy savings compared to 150W PSMH</li> <li>• Heat dissipating fins keep LEDs running cooler, longer</li> </ul>	<ul style="list-style-type: none"> <li>• Familiar form factor for seamless install</li> <li>• Multiple mounting options available to meet your needs</li> </ul>	<ul style="list-style-type: none"> <li>• Warehouses &amp; Storage</li> <li>• Retail</li> <li>• Light Industrial</li> </ul>	<ul style="list-style-type: none"> <li>• Universal (120V through 277V Operation)</li> </ul>

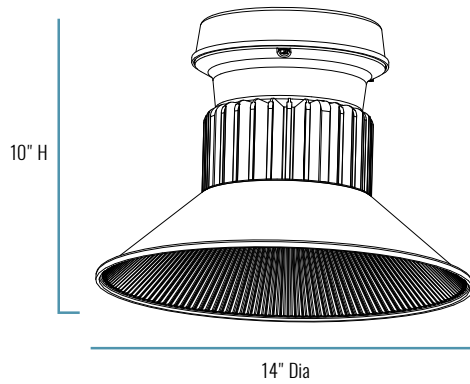
### ORDERING INFORMATION

Example: C-LB-A-RDAC-8L-40K-WH

C-LB-A	RDAC	8L		WH
PRODUCT	REFLECTOR	LUMEN PACKAGE	CCT	COLOR
C-LB-A	RDAC Prismatic	8L 8,000 Lumens 59W	40K Neutral White (4000K) 50K Cool White (5000K)	WH White

#### CERTIFICATIONS:

# C-LB-A-RDAC Series



**Note:** Prismatic reflectors not intended for use in environments where any concentrations of industrial cutting fluids are used.

## SERIES OVERVIEW

DIMENSIONS	PRODUCT WEIGHT	MOUNTING HEIGHT	SPACING
10" H x 14" Dia Mounting Surface: 6-1/2" Dia	6.38 lbs.	12 to 20 feet	N/A

## FIXTURE SPECIFICATIONS

<b>HOUSING</b>	Durable aluminum extruded heat sink & die-cast housing White polyester powder-coat finish
<b>LENS ASSEMBLY</b>	14" clear acrylic reflector with glass optics/lens
<b>MOUNTING</b>	Pendant mount using 1/2" threaded conduit entry on top or with 1/2" hook and cord accessory kit

## ELECTRICAL PERFORMANCE




OPERATING MINIMUM	LIFESPAN L <sub>70</sub> AT 25°C (77°F)	POWER FACTOR	TOTAL HARMONIC DISTORTION	DIMMABLE
-30°C (-22°F)	Estimated 100,000 Hours	> 0.9	< 20%	No
INPUT VOLTAGE	<b>120V</b>	<b>208V</b>	<b>240V</b>	<b>277V</b>
CURRENT DRAW (Amps)	0.49A	0.28A	0.25A	0.21A

## WARRANTY AND CERTIFICATIONS

WARRANTY	UL LISTED	DLC
5 Year Limited*	Damp Locations	DLC Premium Qualified

# C-LB-A-RDAC Series

**ACCESSORIES** (available with fixture purchase only)

	<p><b>6' CORD WITH STRAIGHT BLADE PLUG &amp; 1/2" HOOK</b></p>
	<p>SKU: <b>C-ACC-A-HKCRD-6FT-LV-SB</b> (120V)</p>
	<p><b>6' CORD WITH TWIST-LOCK PLUG &amp; 1/2" HOOK</b></p>
	<p>SKU: <b>C-ACC-A-HKCRD-6FT-LV-TL</b> (120V)  <b>C-ACC-A-HKCRD-6FT-HV-TL</b> (277V)  <b>C-ACC-A-HKCRD-6FT-MV-TL</b> (208V or 240V)</p>
	<p><b>LOCKING TYPE RECEPTACLE (3 BLADE TWIST-LOCK)</b></p>
	<p>SKU: <b>C-ACC-A-RECEP-LV-TL</b> (120V, 3-Wire, NEMA L5-15R)  <b>C-ACC-A-RECEP-HV-TL</b> (277V, 3-Wire, NEMA L7-15R)  <b>C-ACC-A-RECEP-MV-TL</b> (208V/240V, 3-Wire, NEMA L6-15R)</p>

© 2017 Cree, Inc. and/or one of its subsidiaries. All rights reserved. For informational purposes only. Content is subject to change. Patent www.cree.com/patents. C-LITE™ and the C-LITE logo are trademarks of Cree, Inc. The UL logo is a registered trademark of UL LLC. The DLC Premium QPL logo is a registered trademark of Northeast Energy Efficiency Partnerships, Inc.

US: [c-lite.com](http://c-lite.com) T (800) 236-6800 F (262) 504-5415

Canada: [www.cree.com/canada](http://www.cree.com/canada) T (800) 473-1234 F (800) 890-7507

Rev. Date: V2 11/28/2017

For informational purposes only. Content is subject to change. \*See [lighting.cree.com/warranty](http://lighting.cree.com/warranty) for details

**C-LITE**  
LED LIGHTING BY CREE